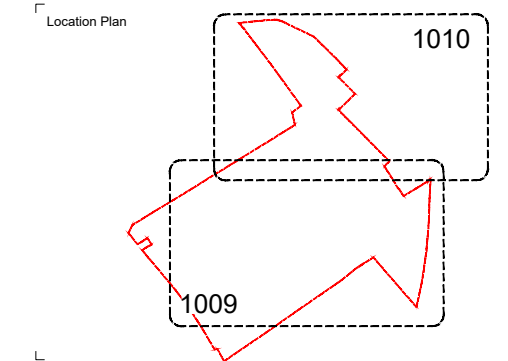
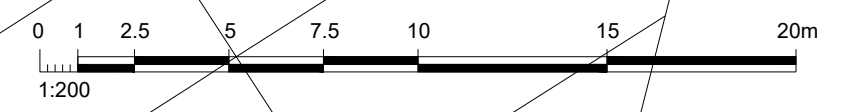
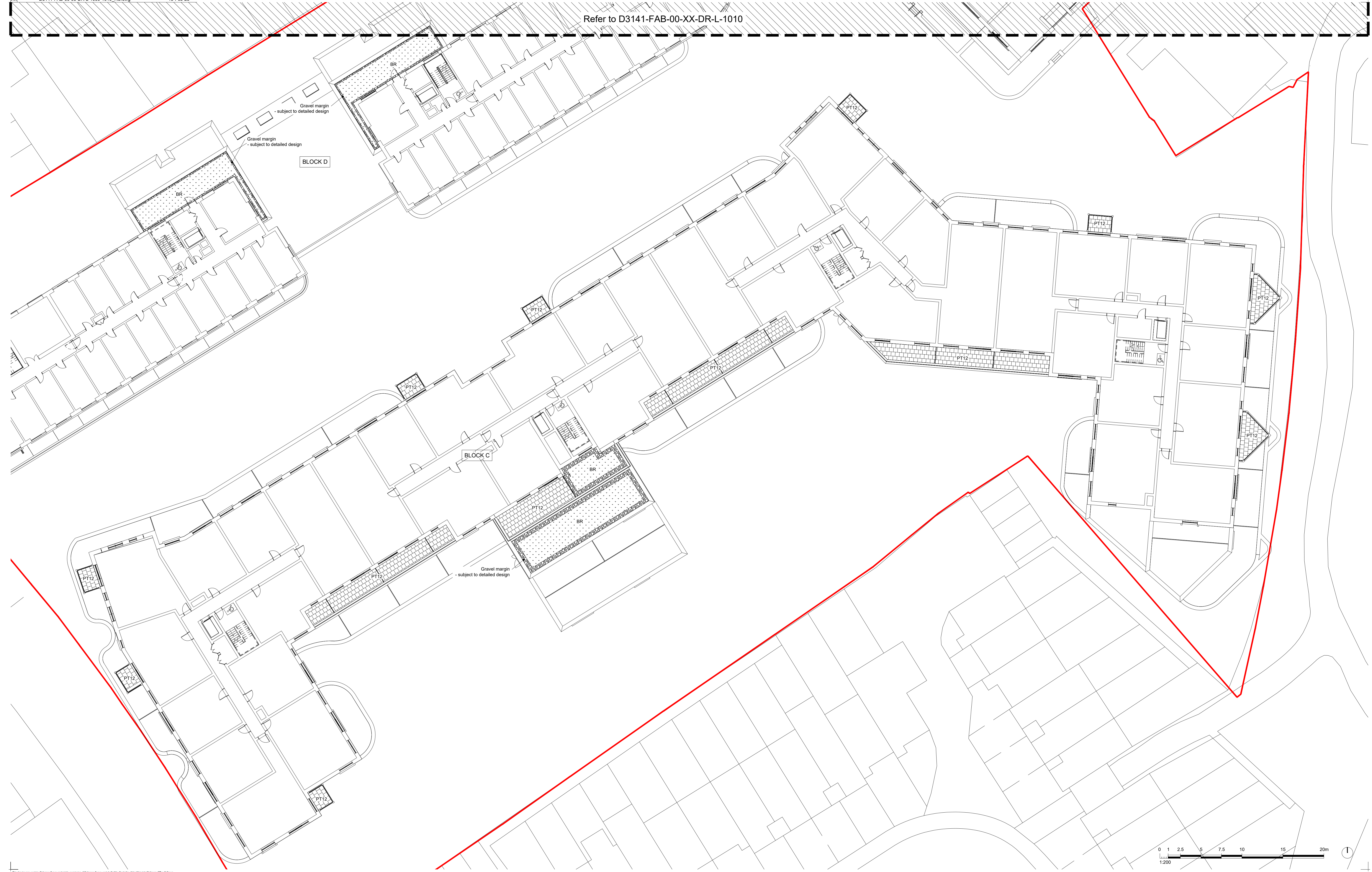


Refer to D3141-FAB-00-XX-DR-L-1010



**fabik** landscape architects  
 Lenton House | 15 Lenton Street | Abingdon | Hampshire | GU24 1HG  
 T: 01245 923250 | E: aitor@fabrik.com | W: www.fabrik.com

Project: **Haven Banks, Exeter** Client: **Welbeck CP**

Drawing Title: **Third Floor Landscape General Arrangement Plan - Sheet 1 of 2**

Author of Block: sw/ib Checked By: sg Date of Issue: 1:200 @ A1 Jun 2022

ISSUED FOR PLANNING APPROVAL

Project Number	Zone	Level	File Type	Issue	Number	Revision
D3141	FAB	00	03	DR	L	1009
						PL02

**Notes:**  
 Refer to fabrik drawings D3141-00-XX-DR-L-1000 & 1001 for Legend and Illustrative Soft Landscape Schedule

Rev	Date	Description	Drawn	Checked
PL02	16-02-2023	Issued for Planning following LPA comments	sw/ib	sg
PL01	15-07-2022	Issued for Planning	sw/ib	sg

External References:

- J:\03141 Haven Road, Exeter\OS CAD\01 Autocad\M2 - Model\01 Revised Scheme\D3141-FAB-00-XX-M2-L-1003\_GA\_Third Floor
- J:\03141 Haven Road, Exeter\OS CAD\01 Autocad\M2 - Model\02 Revised Scheme\D3141-FAB-00-XX-M2-L-1001\_01
- J:\03141 Haven Road, Exeter\OS CAD\01 Autocad\M2 - Model\03 Revised Scheme\D3141-FAB-00-XX-M2-L-1005\_Boundary
- J:\03141 Haven Road, Exeter\OS CAD\01 Autocad\M2 - Model\04 Revised Scheme\D3141-FAB-00-XX-M2-L-1001\_Blocks 3rd Floor
- J:\03141 Haven Road, Exeter\OS CAD\01 Autocad\M2 - Model\05 Revised Scheme\D3141-FAB-00-XX-M2-L-1002\_Blocks 3rd Floor
- J:\03141 Haven Road, Exeter\OS CAD\01 Autocad\M2 - Model\06 Revised Scheme\D3141-FAB-00-XX-M2-L-1002\_Blocks 3rd Floor
- J:\03141 Haven Road, Exeter\OS CAD\01 Autocad\M2 - Model\07 Revised Scheme\D3141-FAB-00-XX-M2-L-1004\_Blocks 3rd Floor

Disclaimer:  
 1. This drawing is copyright of fabrik ltd. It must not be copied or reproduced without written consent from the owner.  
 2. Do not scale from this drawing. Only figured dimensions are to be taken from this drawing.  
 3. All contractors must read and be responsible for taking and checking all dimensions related to the works shown on the drawing prior to fabrication or setting out.  
 4. This drawing uses coloured lines. Please do not rely on a monochrome copy.

This drawing is copyright of fabrik ltd. It must not be copied or reproduced without written consent from the owner. Copyright 2017. All rights reserved. Reference number: OS OpenMapView copyright and database right 2017. A1-02 Planning only 01/2022