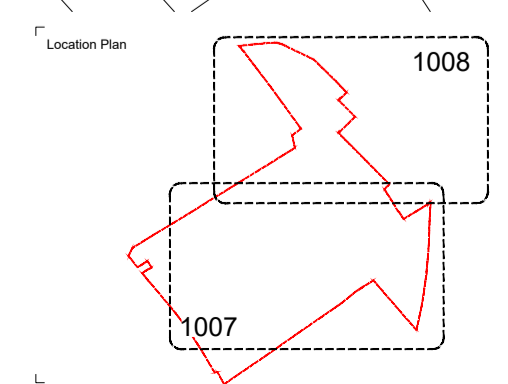
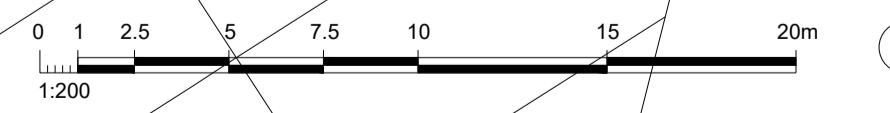
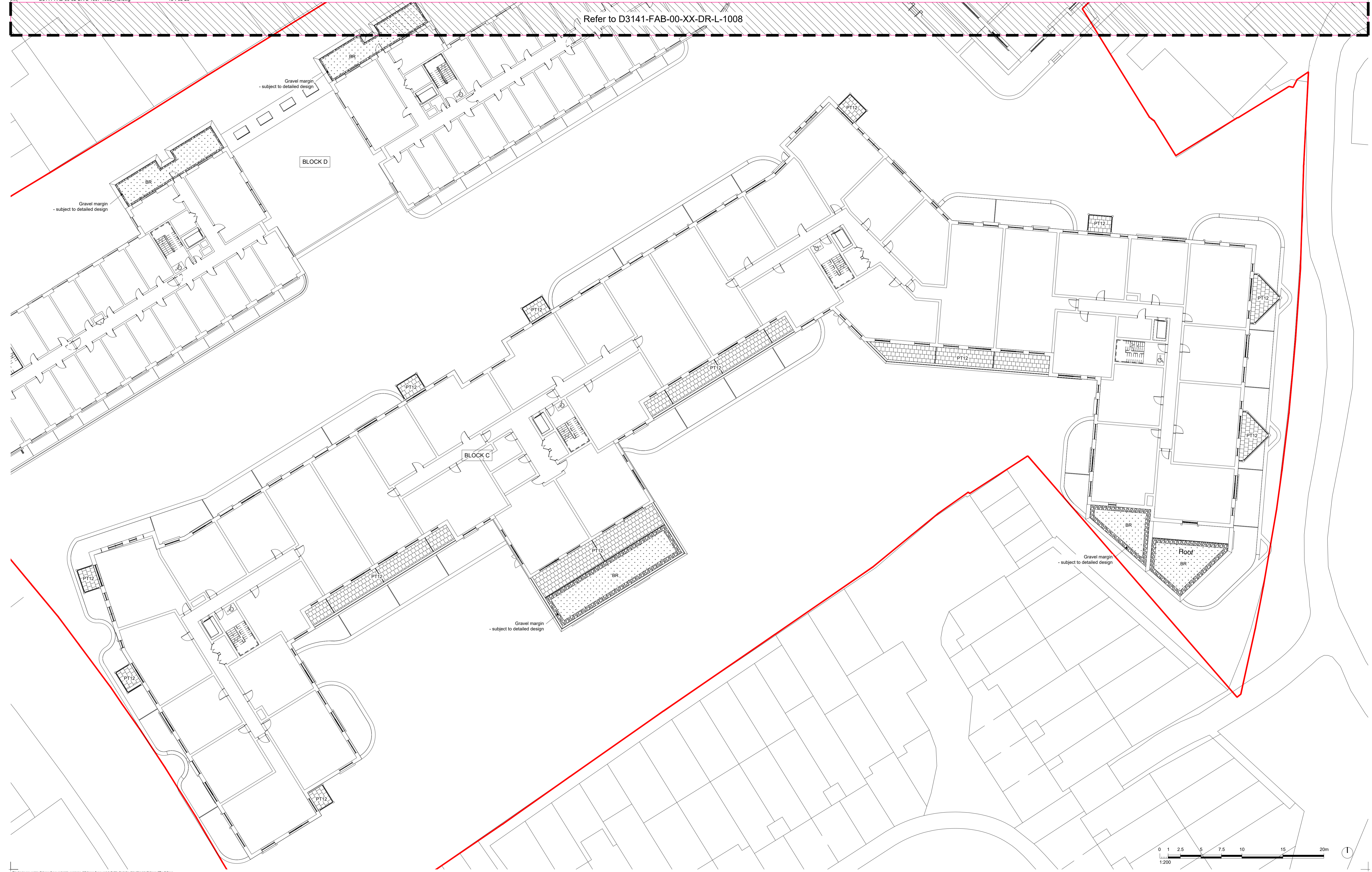


Refer to D3141-FAB-00-XX-DR-L-1008



**fabik** landscape architects  
 Lenton House | 15 Lenton Street | Abon | Hampshire | GU24 1HG  
 T: 01429 923250 | E: alton@fabrik.com | W: www.fabrik.com

Project: **Haven Banks, Exeter** Client: **Welbeck CP**

Drawing Title: **Second Floor Landscape General Arrangement Plan - Sheet 1 of 2**

Author: sw/ib Checked By: sg Date Issued: 1:200 @ A1 Jun | 2022

ISSUED FOR PLANNING APPROVAL

Project Number	Client	Zone	Level	File Type	Revision	Number	Sheet
D3141	FAB	00	02	DR	L	1007	PL02

**Notes:**  
 Refer to fabrik drawings D3141-00-XX-DR-L-1000 & 1001 for Legend and Illustrative Soft Landscape Schedule

PL02	16-02-2023	Issued for Planning following LPA comments	sw	ib	sg
PL01	15-07-2022	Issued for Planning	sw/ib	ib	sg
Revised Date	Revised	Drawn	Checked		

External References:

- J:\03141 Haven Road, Exeter\05 CAD\01 Autocad\M2 - Model\01 Revised Scheme\D3141-FAB-00-XX-M2-L-1002\_GA\_Second Floor
- J:\03141 Haven Road, Exeter\05 CAD\01 Autocad\M2 - Model\02 Revised Scheme\D3141-FAB-00-XX-M2-L-1001\_G01
- J:\03141 Haven Road, Exeter\05 CAD\01 Autocad\M2 - Model\03 Revised Scheme\D3141-FAB-00-XX-M2-L-1005\_Boundary
- J:\03141 Haven Road, Exeter\05 CAD\01 Autocad\M2 - Model\04 Revised Scheme\D3141-FAB-00-XX-M2-L-1017\_Breaks 3rd Floor
- J:\03141 Haven Road, Exeter\05 CAD\01 Autocad\M2 - Model\05 Revised Scheme\D3141-FAB-00-XX-M2-L-1018\_Breaks 2nd Floor
- J:\03141 Haven Road, Exeter\05 CAD\01 Autocad\M2 - Model\06 Revised Scheme\D3141-FAB-00-XX-M2-L-1019\_Breaks 1st Floor
- J:\03141 Haven Road, Exeter\05 CAD\01 Autocad\M2 - Model\07 Revised Scheme\D3141-FAB-00-XX-M2-L-1020\_Breaks 2nd Floor

Disclaimer:  
 1. This drawing is copyright of fabrik ltd. It must not be copied or reproduced without written consent from the owner.  
 2. Do not scale from this drawing. Only figured dimensions are to be taken from this drawing.  
 3. All contractors must read and be responsible for taking and checking all dimensions related to the works shown on the drawing prior to fabrication or setting out.  
 4. This drawing uses coloured lines. Please do not rely on a monochrome copy.