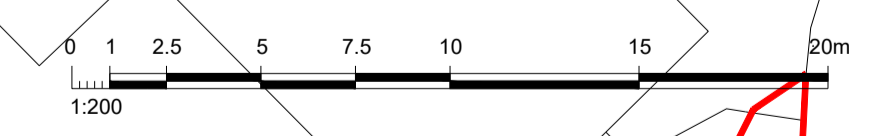




Refer to D3141-FAB-00-XX-DR-L-1004

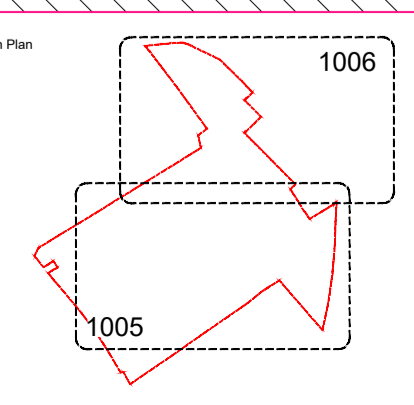


This drawing is copyright of Fabrik Ltd. It must not be copied or reproduced without written consent from the owner. All dimensions must be taken from this drawing. All contractors must be responsible for taking and checking all dimensions related to the works shown on the drawing prior to fabrication or setting out. This drawing uses coloured lines. Please do not rely on a monochrome copy.

External References:

- J103141 Haven Road, Exeter OS CAD001 AutocadM2 - Model001 Revised SchemeD3141-FAB-00-XX-M2L-1001_GA_First Floor
- J103141 Haven Road, Exeter OS CAD001 AutocadM2 - Model001 Revised SchemeD3141-FAB-00-XX-M2L-1001_GA_Boundary
- J103141 Haven Road, Exeter OS CAD001 AutocadM2 - Model001 Revised SchemeD3141-FAB-00-XX-M2L-1005_BlockA 1st Floor
- J103141 Haven Road, Exeter OS CAD001 AutocadM2 - Model001 Revised SchemeD3141-FAB-00-XX-M2L-1014_BlockB 1st Floor
- J103141 Haven Road, Exeter OS CAD001 AutocadM2 - Model001 Revised SchemeD3141-FAB-00-XX-M2L-1016_BlockC 1st Floor
- J103141 Haven Road, Exeter OS CAD001 AutocadM2 - Model001 Revised SchemeD3141-FAB-00-XX-M2L-1016_BlockD 1st Floor

Notes:
Refer to fabrik drawings D3141-00-XX-DR-L-1000 & 1001 for Legend and Illustrative Soft Landscape Schedule



fabik landscape architects
Lenton House | 15 Lenton Street | Abbot | Hampshire | GU24 1HG
T: 01429 93250 | E: aitor@fabrik.com | W: www.fabrik.com

Project: Haven Banks, Exeter
Client: Welbeck CP

Drawing Title: First Floor Landscape General Arrangement Plan - Sheet 2 of 2
Purpose of Issue: ISSUED FOR PLANNING APPROVAL
Drawn By: sw/ib
Checked By: sg
Drawn Scale: 1:200 @ A1
Date of First Issue: Jun | 2022

Project Number	Client	Zone	Level	File Type	Issue	Number	Revision
D3141	FAB	00	01	DR	L	1006	PL02