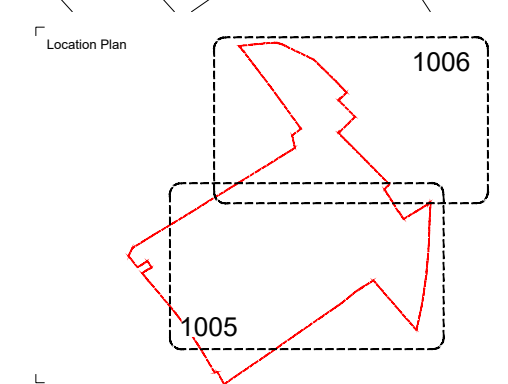
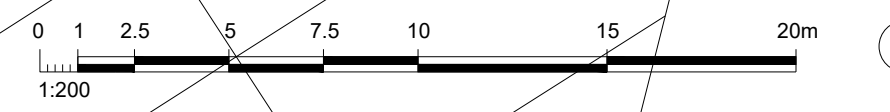
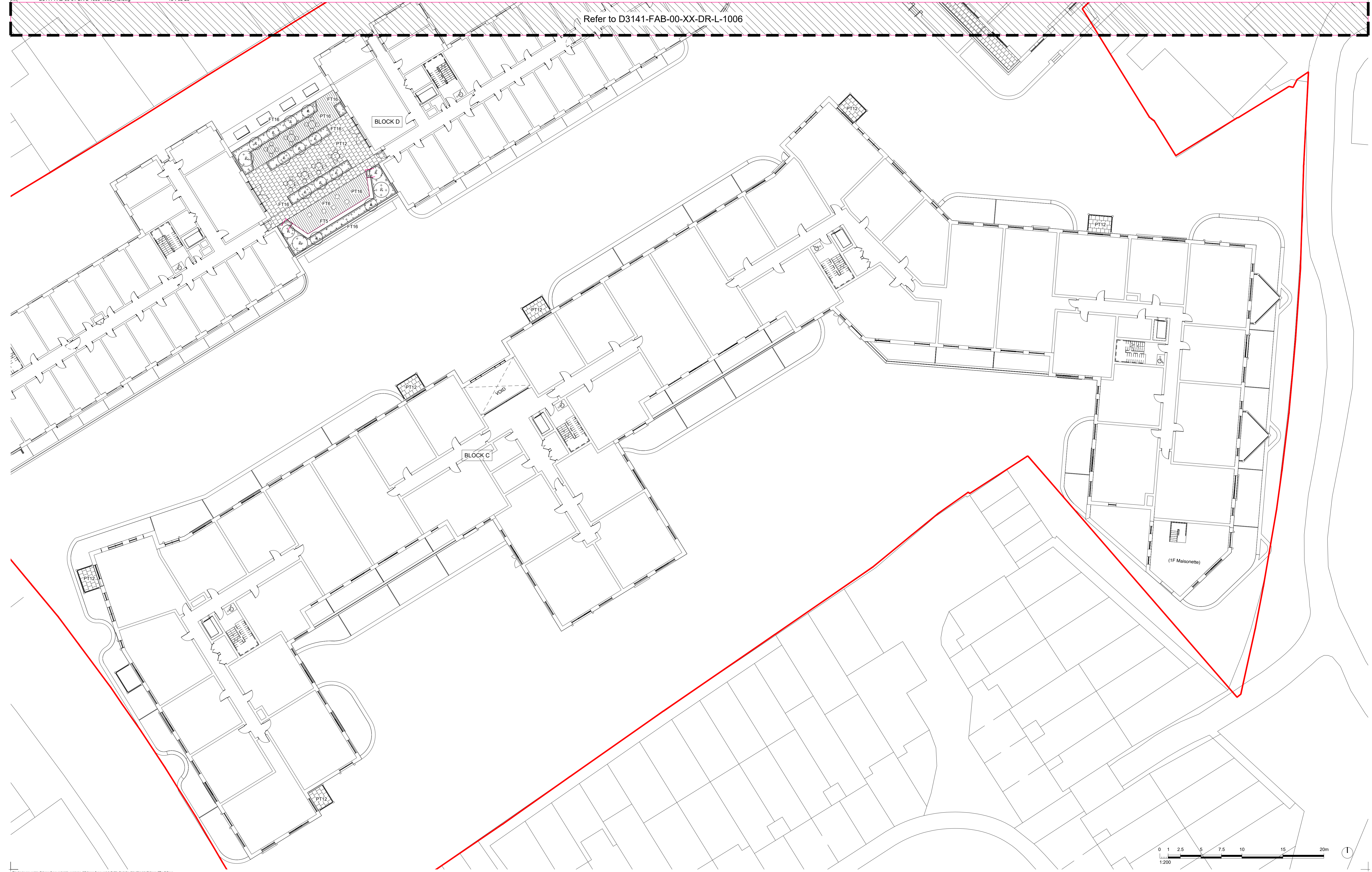


Refer to D3141-FAB-00-XX-DR-L-1006



fabik landscape architects
 Lenton House | 15 Lenton Street | Abon | Hampshire | GU24 1HG
 T: 01429 923250 | E: alon@fabrik.com | W: www.fabrik.com

Project: **Haven Banks, Exeter** Client: **Welbeck CP**

Drawing Title: **First Floor Landscape General Arrangement Plan - Sheet 1 of 2**

Author: sw/ib Checked By: sg Drawn Scale: 1:200 @ A1 Date of First Issue: Jun 2022

ISSUED FOR PLANNING APPROVAL

Project Number	Client	Zone	Level	File Type	Issue	Number	Revision
D3141	FAB	00	01	DR	L	1005	PL02

Notes:
Refer to fabrik drawings D3141-00-XX-DR-L-1000 & 1001 for Legend and Illustrative Soft Landscape Schedule

PL02	16-02-2023	Issued for Planning following LPA comments	sw	hg
PL01	15-07-2022	Issued for Planning	sw/ib	hg
Drawn	Checked			

External References:

- J103141 Haven Road, Exeter OS CAD01 AutocadM2 - Model001 Revised SchemeD3141-FAB-00-XX-M2L-1001_GA_First Floor
- J103141 Haven Road, Exeter OS CAD01 AutocadM2 - Model002 Revised SchemeD3141-FAB-00-XX-M2L-1001_GA
- J103141 Haven Road, Exeter OS CAD01 AutocadM2 - Model003 Revised SchemeD3141-FAB-00-XX-M2L-1001_GA
- J103141 Haven Road, Exeter OS CAD01 AutocadM2 - Model004 Revised SchemeD3141-FAB-00-XX-M2L-1001_GA
- J103141 Haven Road, Exeter OS CAD01 AutocadM2 - Model005 Revised SchemeD3141-FAB-00-XX-M2L-1001_GA
- J103141 Haven Road, Exeter OS CAD01 AutocadM2 - Model006 Revised SchemeD3141-FAB-00-XX-M2L-1001_GA
- J103141 Haven Road, Exeter OS CAD01 AutocadM2 - Model007 Revised SchemeD3141-FAB-00-XX-M2L-1001_GA
- J103141 Haven Road, Exeter OS CAD01 AutocadM2 - Model008 Revised SchemeD3141-FAB-00-XX-M2L-1001_GA
- J103141 Haven Road, Exeter OS CAD01 AutocadM2 - Model009 Revised SchemeD3141-FAB-00-XX-M2L-1001_GA
- J103141 Haven Road, Exeter OS CAD01 AutocadM2 - Model010 Revised SchemeD3141-FAB-00-XX-M2L-1001_GA
- J103141 Haven Road, Exeter OS CAD01 AutocadM2 - Model011 Revised SchemeD3141-FAB-00-XX-M2L-1001_GA
- J103141 Haven Road, Exeter OS CAD01 AutocadM2 - Model012 Revised SchemeD3141-FAB-00-XX-M2L-1001_GA
- J103141 Haven Road, Exeter OS CAD01 AutocadM2 - Model013 Revised SchemeD3141-FAB-00-XX-M2L-1001_GA
- J103141 Haven Road, Exeter OS CAD01 AutocadM2 - Model014 Revised SchemeD3141-FAB-00-XX-M2L-1001_GA
- J103141 Haven Road, Exeter OS CAD01 AutocadM2 - Model015 Revised SchemeD3141-FAB-00-XX-M2L-1001_GA
- J103141 Haven Road, Exeter OS CAD01 AutocadM2 - Model016 Revised SchemeD3141-FAB-00-XX-M2L-1001_GA
- J103141 Haven Road, Exeter OS CAD01 AutocadM2 - Model017 Revised SchemeD3141-FAB-00-XX-M2L-1001_GA
- J103141 Haven Road, Exeter OS CAD01 AutocadM2 - Model018 Revised SchemeD3141-FAB-00-XX-M2L-1001_GA
- J103141 Haven Road, Exeter OS CAD01 AutocadM2 - Model019 Revised SchemeD3141-FAB-00-XX-M2L-1001_GA
- J103141 Haven Road, Exeter OS CAD01 AutocadM2 - Model020 Revised SchemeD3141-FAB-00-XX-M2L-1001_GA

Disclaimer:
 1. This drawing is copyright of fabrik ltd. It must not be copied or reproduced without written consent from the owner.
 2. Do not scale from this drawing. Only figured dimensions are to be taken from this drawing.
 3. All contractors must read and be responsible for taking and checking all dimensions related to the works shown on the drawing prior to fabrication or setting out.
 4. This drawing uses coloured lines. Please do not rely on a monochrome copy.